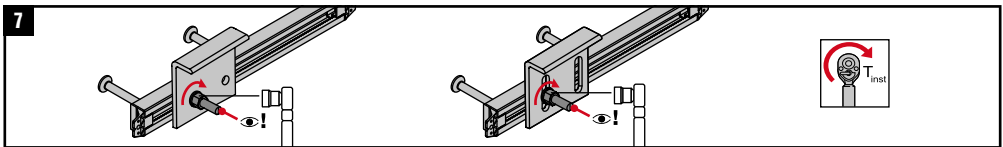
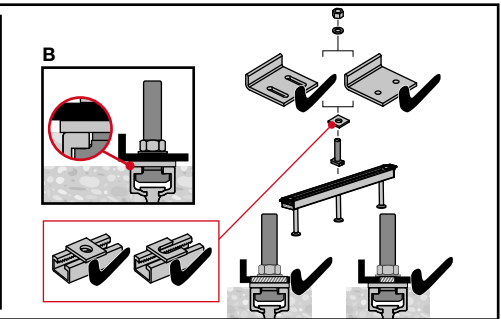
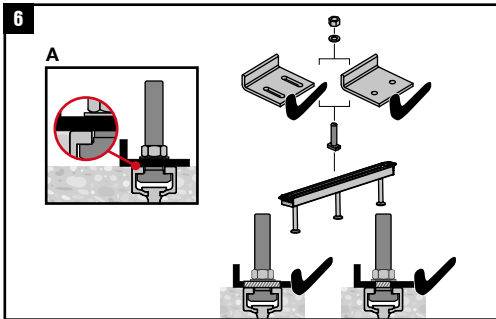
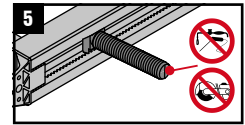
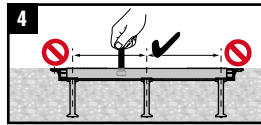
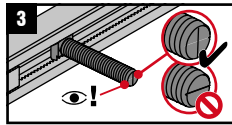
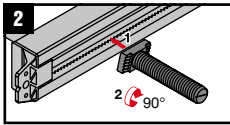
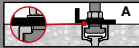




| T-bolt | Channel |
|-------------|---------------|
| HBC-T-29/20 | HAC-C-T 29/20 |
| HBC-T-40/22 | HAC-C-T 40/22 |
| HBC-T-50/30 | HAC-C-T 50/30 |
| | HAC-C-T 53/34 |



| Channel bolt | |   | |
|--------------|-----|---|--|
| | | T_{inst} [Nm]  | |
| | | 8.8 / A4-70 | |
| HBC-T-29/20 | M10 | 40 | |
| | M12 | 60 | |
| HBC-T-40/22 | M10 | 40 | |
| | M12 | 60 | |
| | M16 | 100 | |
| HBC-T-50/30 | M16 | 100 | |
| | M20 | 120 | |